

# EXTERIOR PROJECTION PRO COMPACT

OUTDOOR-RATED CONFIGURABLE IMAGE PROJECTOR

SPEC SHEET



The **Martin Exterior Projection Pro Compact** is a next-generation outdoor fixture for architectural and landscape applications. Versatile and efficient, it supports 11 configurations with up to four layers of effects, including precise façade framing. The built-in zoom system adjusts angles from 15° to 45°, delivering 4,700 lumens consistently. Dynamic effects include zoom, focus, colors, gobos, and animations. Using the optional framing module, the projected image can be framed to precisely match the façade. Managed via smart controls (magnetic switch, DMX, RDM, and Martin Companion), it's fully outdoor-rated and backed by a 5-year warranty. Its modular design, compact form, and advanced features make it ideal for lighting designers offering incredibly creative image projection for outdoor spaces.

## KEY MESSAGES

### VERSATILE CONFIGURATION

The **Exterior Projection Pro Compact's** accessory effect modules adapt to the unique needs of each application, providing a cost-efficient and lightweight solution.

### PRECISE BEAM CONTROL WITH FLAT FIELD

The built-in zoom system enables precise adjustment of the 15° to 45° projection angle, ensuring easy positioning and optimal surface coverage. The projected image maintains a flat field with high contrast.

### SMART CONTROL OPTIONS

Magnetic switch, DMX, RDM, and stand-alone programming via Martin Companion offer straightforward configuration and programming. The fixture also features a dedicated hibernation power mode, activated via the DMX control channel, significantly reducing power consumption when inactive.

### COMPACT AND ATTRACTIVE DESIGN

With its compact footprint and low weight, the fixture can be pole-mounted and integrated into various setups, delivering multiple applications.

### HIGHLY-EFFICIENT OPTICAL SYSTEM

The efficient optical system ensures full lumen maintenance across the zoom range. The optional framing module allows the projected image to be framed to precisely match the façade.

### DESIGNED FOR REAL-WORLD CONDITIONS

Engineered to meet stringent environmental standards, the fixture reduces its carbon footprint through its efficient optical system, FSC-certified packaging, and full repairability. It is fully outdoor-rated to withstand harsh environmental conditions and is backed by Martin's full 5-year warranty.

# EXTERIOR PROJECTION PRO COMPACT

## OUTDOOR-RATED CONFIGURABLE IMAGE PROJECTOR

SPEC SHEET

### FEATURES

- Flat-field, high-contrast image projection
- 4,700 lumens output across the entire zoom range
- Efficient optical system with integrated 15° - 45° zoom system
- Configurable design for reduction of resources, cost, and weight
- One gobo or four gobo modules
- Animation module
- Manual framing module for precise framing of projected image
- 0-100% electronic dimming
- Hibernation mode for very low power consumption
- Compact and slim design
- RDM and DMX control
- Local diagnostics and focusing via magnetic sensor
- Dedicated compartment for install of Power and DMX In/Out cables
- Optional PD Hybrid In/Out cable solution
- Automatic thermal management for safe operation in high and low ambient temperatures
- Fully-weatherized housing (IP66, IK08 and C-5 High corrosion rating)
- Shipped in FSC-certified cardboard packaging
- 5-year warranty

### RELATED ITEMS

- Martin Companion Cable (for firmware update over DMX)..... P/N 91616091
- Martin Companion Software: free download from [www.martin.com](http://www.martin.com)

### ORDERING INFORMATION

#### FIXTURES

- Exterior Projection Pro Compact, Grey: ..... MAR-90560250
- Exterior Projection Pro Compact, White: ..... MAR-90560251
- Exterior Projection Pro Compact, Black: ..... MAR-90560252

#### ACCESSORY MODULES

- Manual framing module: ..... MAR-90560260
- Animation Module: ..... MAR-90560261
- One gobo holder module: ..... MAR-90560262
- Four gobo wheel module: ..... MAR-90560263

#### RELATED ITEMS

- Glareshield Black: ..... MAR-90560264
- Exterior Multitool: ..... MAR-90590025
- Attachment plate for safety wire: ..... MAR-90590050
- Hybrid PD cable tail In/Out 0.5 m, black: ..... MAR-91700020
- Hybrid PD cable tail In/Out 0.5 m, white: ..... MAR-91700022



# EXTERIOR PROJECTION PRO COMPACT

## OUTDOOR-RATED CONFIGURABLE IMAGE PROJECTOR

SPEC SHEET

### TECHNICAL SPECIFICATIONS

#### DYNAMIC EFFECTS

Color wheel	5 dichroic colors (red, green, blue, yellow, CTO) + open
Accessory 1-gobo module	indexing, variable rotation
Accessory 4-gobo module	selection, indexing, variable rotation
Accessory animation module	Continuous rotation with variable speed and direction (always in aperture)
Accessory Framing module	4 blades for manual adjustment of insert and angle (8 finger knobs with locking mechanism)
Dimming	Electronic, 0-100% continuous dimming
Shutter	Strobe and pulse effects, instant open and blackout
Focus	Motorized, variable 3 m (9.8 ft.) to infinity
Zoom	Motorized, 15° - 45° beam angle

#### CONTROL AND PROGRAMMING

Control options	DMX, RDM, stand-alone
Stand-alone control	Up to 20 scenes with individual fade/hold times
Configuration, addressing and status	Via RDM
User interface	Magnetic sensor to call up fixture status and focus fixture
8-bit control	Color and gobo selection
16-bit control	Gobo indexing and rotation, Animation, Focus, Zoom and Intensity
DMX compliance	USITT DMX512-A
RDM compliance	ANSI/ESTA E1.20
DMX channels	13/14 (Basic / Extended)

#### OPTICS

Full zoom range	15° - 45° (Field Angle)
Light source	130W White light LED engine
LED lifetime	minimum 30,000 hours (to >70% luminous output)*

\*Figure obtained under manufacturer's test conditions

#### PHOTOMETRIC DATA

CRI (Color Rendering Index)	>70
Color temperature	7,500 K
Total output	4,700 lumens

\*All Photometric Data measured in steady state (30 minutes warm-up time) at 25°C ambient

#### CONSTRUCTION

Housing	Cast aluminum
Finish	Hard anodized
Color Options	Traffic Grey RAL 7042, Traffic White RAL 9016, Traffic Black RAL 9017
Service Lid	For gobo change or insert of accessory effect modules

Front glass	5 mm (0.2 in.) anti-reflection coated tempered glass
Ingress protection	IP66
Impact resistance	IK08
Corrosion resistance	C5 (very high corrosivity / marine, ISO 12944)
EPA (Effective Projected Area)	0.1 m <sup>2</sup>
Vibration resistance	1.0g, Sinusoidal (IEC 60068-2-6) 0.7g, RMS Random (IEC 60068-2-64), 3.0g, (ANSI C136-31)

#### GOBOS

Suitable material	Borosilicate glass, coatings heat-resistant to 450°C (842° F)
Alternative material	Aluminum 1060, paint on front lens side, 450° C (842° F)
Gobo diameter	19.0 mm +0/-0.3 mm (0.74 in. +0/-0.02 in.)
Maximum image diameter	15 mm (0.59 in.)
Glass gobo thickness, minimum	1.1 mm ±0.1 mm (0.045 ±0.004 in.)
Glass gobo thickness, maximum	3.0 mm ±0.3 mm (0.12in. ± 0.012 in.)
Aluminum gobo thickness	0.5 mm ± 0.02 mm (0.020 in. ± 0.01 in) HT paint

#### INSTALLATION

Mounting	Adjustable yoke
Location	Suitable for wet locations. Do not immerse in water.
Orientation	Any, except horizontal angles above 70°
Minimum distance to illuminated surfaces	0.5 m (20 in.)

#### CONNECTIONS

Power cable entry	IP68 cable gland (accepts 8 mm-12 mm)
Power connection	Terminal for power in separate compartment
Data cable entry	IP68 cable gland (accepts 8 mm-12 mm)
Data connection	Terminal for data in separate compartment

#### ELECTRICAL

AC power	100-240/277 V nominal, 50/60 Hz
Power Supply	Auto-ranging electronic switch-mode
Surge protection	4 KV
Power factor	0.98 @ 110 V / 0.96 @ 230 V, 0.91 @ 277 V
Max current draw	1.68 A @ 110 V, 0.81 A @ 230 V, 0.69 A @ 277 V
Typical current draw	1.48 A @ 110 V, 0.71 A @ 230 V, 0.63 A @ 277 V

# EXTERIOR PROJECTION PRO COMPACT

OUTDOOR-RATED CONFIGURABLE IMAGE PROJECTOR

SPEC SHEET

## TECHNICAL SPECIFICATIONS (Cont.)

### ELECTRICAL (Cont.)

#### POWER CONSUMPTION

**Maximum** ..... 180 W  
**Typical** ..... 160 W  
**Idle** ..... 10 W  
**Hibernation** ..... 3 W

Measurements made at nominal voltage with all LEDs at full intensity. Allow for a deviation of +/- 10%. Typical: full output, no effects moving, regulated fan speed.

Idle: no output, no effects moving, regulated fan speed.

Hibernation: no output, motors de-energized, fans stopped, wake-up procedure to re-use fixture.

### THERMAL

**Cooling** ..... Convection, internal forced air

**Maximum surface temperature** ..... 60° C (140° F)

**Maximum ambient temperature (Ta max.)** ..... 45° C (113° F) \*

**Minimum ambient temperature (Ta min.)** ..... -30° C (-22° F)\*\*

\*Above this temperature, the fixture regulates output to protect from overheating.

\*\*For instant wake-up with no warm-up mode, leave power applied constantly in ambient temperatures below 0° C (32° F)

### ENVIRONMENTAL

**RoHS** ..... Compliant  
**REACH** ..... Compliant  
**WEEE** ..... Compliant  
**Proposition 65** ..... Compliant  
**FSC** ..... Certified cardboard outer packaging  
**Efficacy (max output)** ..... 29.3 lm/W  
**LWR** ..... 376 lm/kg (171 lm/lbs.)

\*LWR = Lumen-to-Weight Ratio

### APPROVALS

**EU safety** ..... EN 60598-2-5 (EN 60598-1), EN 62471, EN 62493  
**EU EMC** ..... EN 55015, EN 55032(Class B), EN55035, EN 61000-3-2, EN 61000-3-3, EN 61547  
**US safety** ..... ANSI/UL 1598  
**US EMC** ..... CFR 47 Part 15 Class B  
**Canadian safety** ..... CSA C22.2 No 250.13  
**Canadian EMC** ..... CAN ICES (B)/ NMB(B)  
**Australia/NZ** ..... RCM  
**Global CB Certification/IECEE** ..... IEC 60598-2-5 (IEC 60598-1)  
**BIS certification** ..... (Pending)

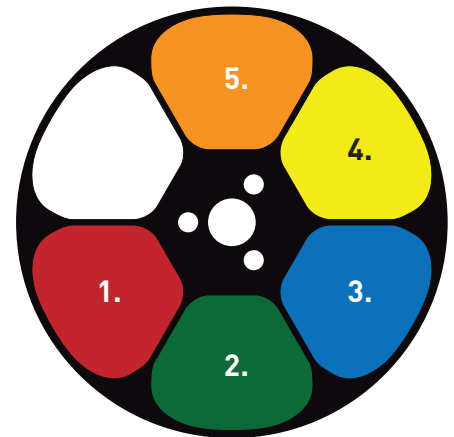


## CONFIGURATION TABLE

	1-Gobo module	4-Gobo module	Animation Module	Manual Framing Module
1			X	
2				X
3			X	X
4	X			
5	X		X	
6	X			X
7	X		X	X
8		X		
9		X	X	
10		X		X
11		X	X	X

## COLOR WHEEL

1. Red
2. Green
3. Light Blue
4. Yellow
5. CTO – 4000K

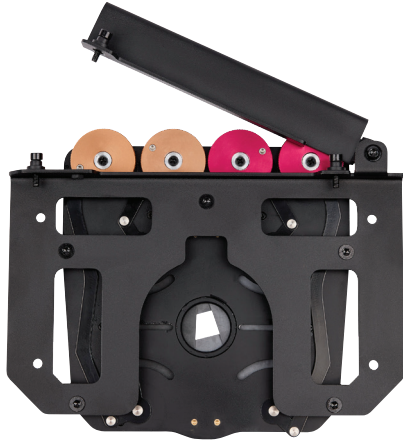


# EXTERIOR PROJECTION PRO COMPACT

OUTDOOR-RATED CONFIGURABLE IMAGE PROJECTOR

SPEC SHEET

## MANUAL FRAMING MODULE



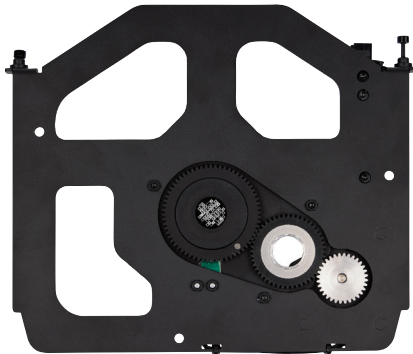
4 blades for manual adjustment of insert and angle using 8 finger knobs  
Locking mechanism to secure blade positions

## ANIMATION WHEEL

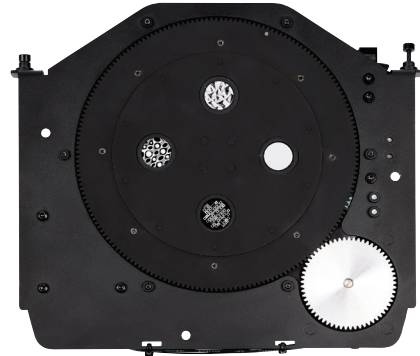


Manual adjustment of wheel position for vertical or horizontal effects

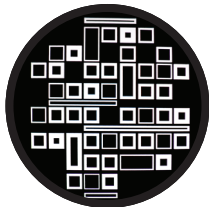
## GOBO MODULES



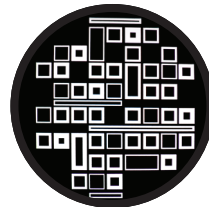
1-Gobo Module



4-Gobo Module



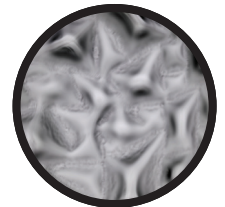
"Sequence It"



"Sequence It"



"Lava Shimmer"



"Limbo Structure Glass"

# EXTERIOR PROJECTION PRO COMPACT

## OUTDOOR-RATED CONFIGURABLE IMAGE PROJECTOR

SPEC SHEET

### PROJECTION DATA - GOBO WITH MAX. IMAGE SIZE

#### Narrow Zoom Setting – 15°

Distance to projection surface in meters (ft.)	4.0 m (13.1 ft.)	6.0 m (19.7 ft.)	8.0 m (26.2 ft.)	10.0 m (32.8 ft.)	12.0 m (39.4 ft.)	14.0 m (45.9 ft.)	16.0 m (52.5 ft.)	18.0 m (52.5 ft.)	20.0 m (65.6 ft.)
Projection diameter in meters (ft.)	1.1 m (3.5 ft.)	1.6 m (5.2 ft.)	2.1 m (6.9 ft.)	2.6 m (8.6 ft.)	3.2 m (10.4 ft.)	3.7 m (12.1 ft.)	4.2 m (13.8 ft.)	4.7 m (15.5 ft.)	5.3 m (17.3 ft.)
Center illuminance in lux	6070	2698	1518	971	674	496	379	300	243
Center illuminance in candela	564	251	141	90	63	46	35	28	23

#### Medium Zoom Setting – 25°

Distance to projection surface in meters (ft.)	4.0 m (13.1 ft.)	6.0 m (19.7 ft.)	8.0 m (26.2 ft.)	10.0 m (32.8 ft.)	12.0 m (39.4 ft.)	14.0 m (45.9 ft.)	16.0 m (52.5 ft.)	18.0 m (52.5 ft.)	20.0 m (65.6 ft.)
Projection diameter in meters (ft.)	1.8 m (5.8 ft.)	2.7 m (8.7 ft.)	3.5 m (11.6 ft.)	4.4 m (14.5 ft.)	5.3 m (17.5 ft.)	6.2 m (20.4 ft.)	7.1 m (23.3 ft.)	8.0 m (26.2 ft.)	8.9 m (29.1 ft.)
Center illuminance in lux	2041	907	510	327	227	167	128	101	82
Center illuminance in candela	190	84	47	30	21	15	12	9	8

#### Wide Zoom Setting – 35°

Distance to projection surface in meters (ft.)	4.0 m (13.1 ft.)	6.0 m (19.7 ft.)	8.0 m (26.2 ft.)	10.0 m (32.8 ft.)	12.0 m (39.4 ft.)	14.0 m (45.9 ft.)	16.0 m (52.5 ft.)	18.0 m (52.5 ft.)	20.0 m (65.6 ft.)
Projection diameter in meters (ft.)	2.5 m (8.3 ft.)	3.8 m (12.4 ft.)	5.0 m (16.5 ft.)	6.3 m (20.7 ft.)	7.6 m (24.8 ft.)	8.8 m (29.0 ft.)	10.1 m (33.1 ft.)	11.4 m (37.2 ft.)	12.6 m (41.4 ft.)
Center illuminance in lux	1047	465	262	168	116	85	65	52	42
Center illuminance in candela	97	43	24	16	11	8	6	5	4

#### Very Wide Zoom Setting – 45°

Distance to projection surface in meters (ft.)	4.0 m (13.1 ft.)	6.0 m (19.7 ft.)	8.0 m (26.2 ft.)	10.0 m (32.8 ft.)	12.0 m (39.4 ft.)	14.0 m (45.9 ft.)	16.0 m (52.5 ft.)	18.0 m (52.5 ft.)	20.0 m (65.6 ft.)
Projection diameter in meters (ft.)	3.3 m (10.9 ft.)	5.0 m (16.3 ft.)	6.6 m (21.7 ft.)	8.3 m (27.2 ft.)	9.9 m (32.6 ft.)	11.6 m (38.0 ft.)	13.3 m (43.5 ft.)	14.9 m (48.9 ft.)	16.6 m (54.4 ft.)
Center illuminance in lux	651	289	163	104	72	53	41	32	26
Center illuminance in candela	60	27	15	10	7	5	4	3	2

# EXTERIOR PROJECTION PRO COMPACT

OUTDOOR-RATED CONFIGURABLE IMAGE PROJECTOR

SPEC SHEET

## MOUNTING OPTIONS



Customer install of power and DMX cables or PD Hybrid In/Out cable tails

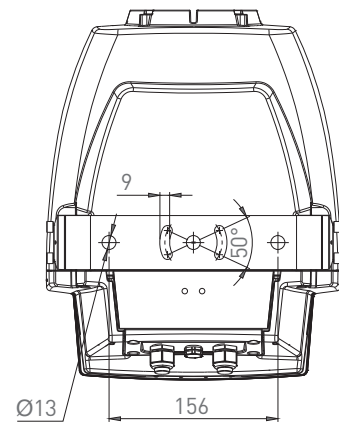
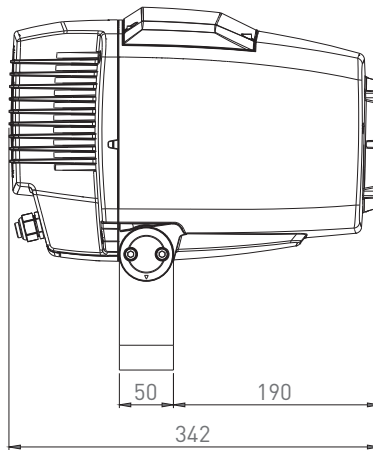
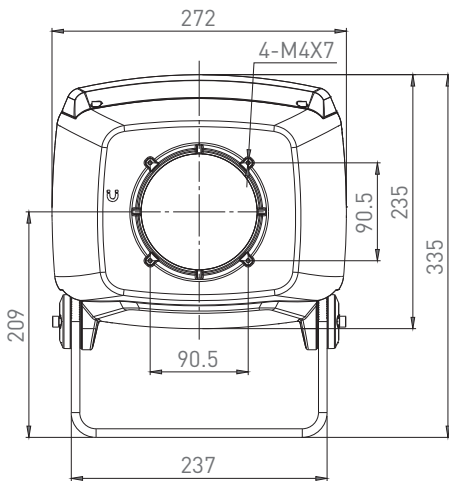


## DIMENSIONS

### PHYSICAL

Length.....342 mm (13.5 inch.)  
 Width.....272 mm (10.7 inch.)

Height.....335 mm (13.2 inch.)  
 Weight ..... 12.5-13.9 kg (27.5-30.6 lbs)  
*Weight depends on actual configuration*



All dimensions shown in mm